

Model 740 Bi-directional Gate Valve

FIG 740 is designed to meet the requirements of a general purpose bi-directional shut-off valve. An elastomer seal is held in a groove in the single-piece cast body and provides peripheral sealing of the gate edge. Since there is no raised seat or pressure-assisted sealing as in conventional uni-directional knife gate valves, FIG 740 provides zero leak bi-directional shut-off from minimum pressure to the rated pressure.

Port opening is same as for schedule 40 pipe thereby offering unrestricted flow and minimum pressure drop.



Locked-in wire reinforced replaceable elastomer seal



Non-rising Stem



TYPICAL APPLICATIONS

- General bi-directional shut-off applications
- Water & sewage applications
- As a replacement for conventional gate or sluice valves

SPECIFICATIONS

Type	Bi-directional gate valve
Size range	50mm to 600mm (higher sizes on application)
Pressure rating	CWP-10 bar
Endstyle	Full lug
Face-to face	As per MSS SP-81
Drilling	Suitable for mounting between flanges drilled to ANSI 150lb (standard); others on request.
Body	Stainless steel; carbon steel. Others on application
Seat	Replaceable, elastomer cord seal; chloroprene standard; max. service temp - 80 deg C
Gate	304/316 stainless steel plated is standard; others on request
Stem	304 st. steel standard; others on request
Superstructure	Steel yoke, epoxy coated standard; others on request
Actuator options	Direct mounted rising stem hand wheel standard; non-rising hand wheel, chain wheel, geared hand wheel, pneumatic cylinder and electric actuator options available
Special	Can be provided with bolt-on bonnet where required

TEST SPECIFICATIONS

Body shell test Tested at 1.5 times CWP
 Seat test Tested at 1.1 times CWP for zero leak in either direction

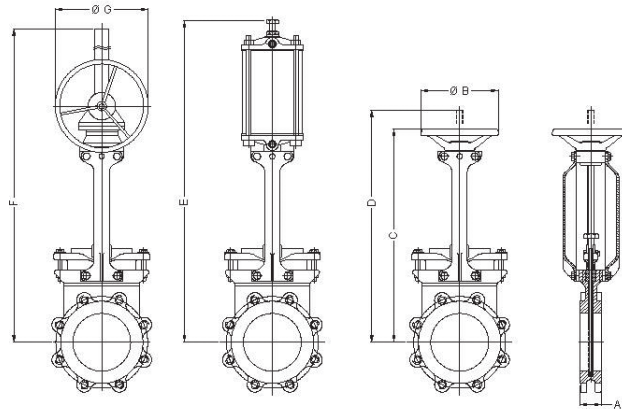
PAINTING

Standard paint is two-pack epoxy in blue color (other paint options available on request)

DIMENSIONS

All dimensions in mm

Valve size, mm (inch)	A	B	C	D	E	F	G
50 (2)	48	254	350	375	505	--	--
80 (3)	51	254	415	465	595	--	--
100 (4)	51	254	460	535	660	--	--
125 (5)	57	305	510	605	760	--	--
150 (6)	57	305	550	665	820	695	500
200 (8)	70	406	650	815	995	845	500
250 (10)	70	406	695	945	1130	975	500
300 (12)	76	508	785	1085	1305	1115	500
350 (14)	76	508	945	1300	1490	1330	500
400 (16)	89	--	960	1360	1550	1390	500
450 (18)	89	--	1085	1545	1730	1575	500
500 (20)	114	--	1200	1700	1945	1730	500
600 (24)	114	--	1395	2000	2245	2030	500



ACTUATOR SELECTION

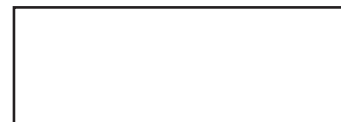
Valve Size, mm (inch)	50 (2)	80 (3)	100 (4)	150 (6)	200 (8)	250 (10)	300 (12)	350 (14)	400 (16)	450 (18)	500 (20)	600 (24)
Direct Hand wheel	CHG	CHG	CHG	CHG	CHG	CHG	CHG	CHG	--	--	--	--
Gear Hand wheel	--	--	--	--	G01	G01	G01	G01	G01	G02	G02	G03
Pneumatic DA Cylinder	C4	C4	C4	C6	C8	C10	C12	C12	C12	C16	C16	C16

ORDERING

Please refer Datasheet 100 for complete ordering information for VAAS range of valves



VAAS INDUSTRIES PVT LTD
 73, Industrial Estate, Chennai - 600 096, India
www.vaasval.com



Marketing Head Office
 73, Industrial Estate, Chennai - 600 096, India
 Tel: +91-44-4262-9500 Fax: +91-44-4262-9501 Email: sales@vaasval.com Website : www.vaas.in

VAAS Sales offices in India

New Delhi Tel : +91-11-6662 9546 Email: northsales@vaasval.com
 Mumbai Tel : +91-22-6710 0398 Email: westsales@vaasval.com
 Kolkata Tel : +91-33-2280 3107 Email: eastsales@vaasval.com
 Chennai Tel : +91-44-2852 3411 Email: southsales@vaasval.com

VAAS Sales offices Overseas

VAAS Asia Email : sales_asiapacific@vaasval.com
 VAAS America Email : sales_americas@vaasval.com
 VAAS Europe Email : sales_europe@vaasval.com
 VAAS Pacific Email : sales_pacific@vaasval.com

All statements, technical information and recommendations in this bulletin are for general use only. Consult VAAS representative or factory for specific requirements and material selection for your intended application. The right to change or modify product design or product without prior notice is reserved.

VAAS/740-Edition-03/2009/5000/03/2009